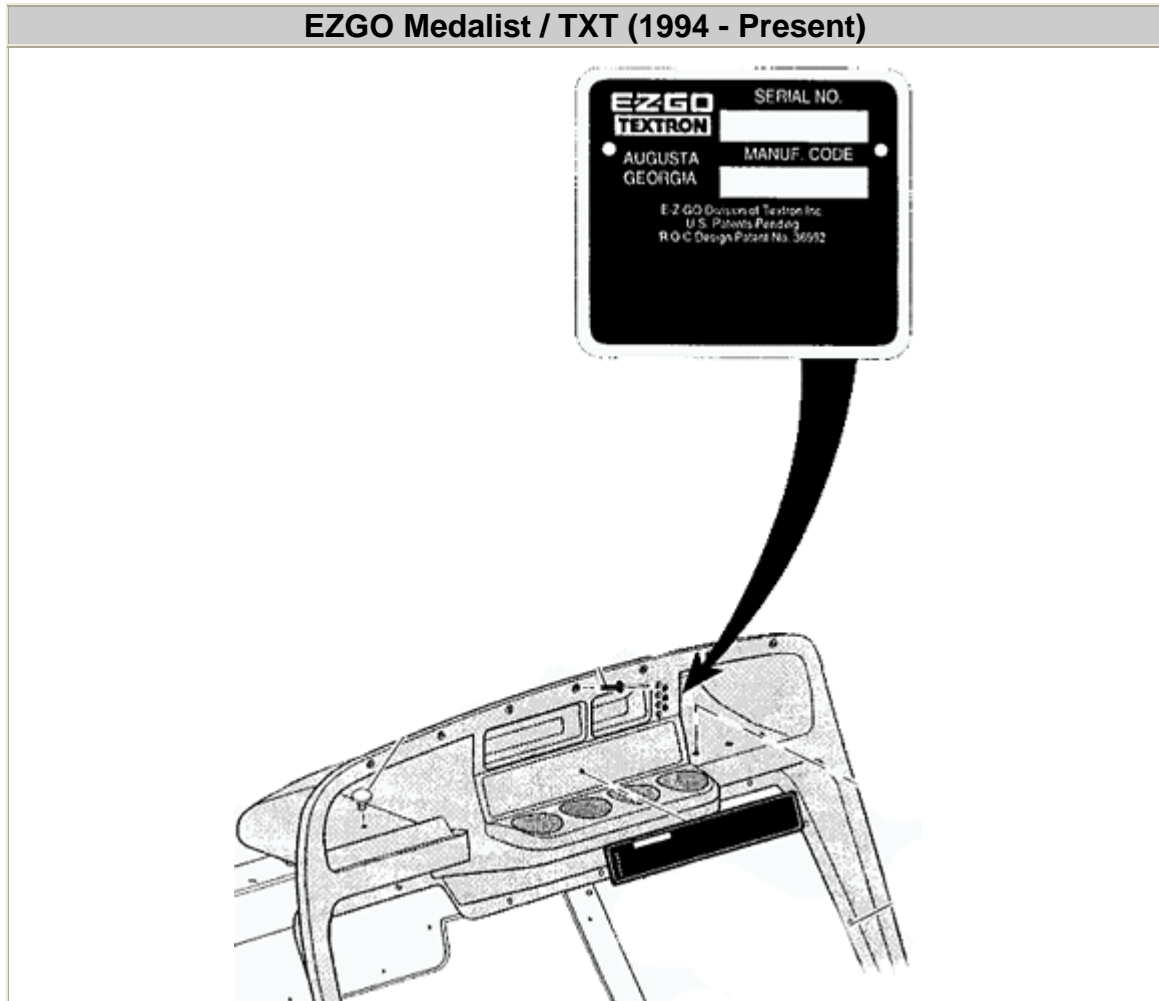


What Year is My E-Z-GO® Golf Cart

1994 to Present - Medalist / TXT

1976 to 1993 - Marathon

Prior to 1976

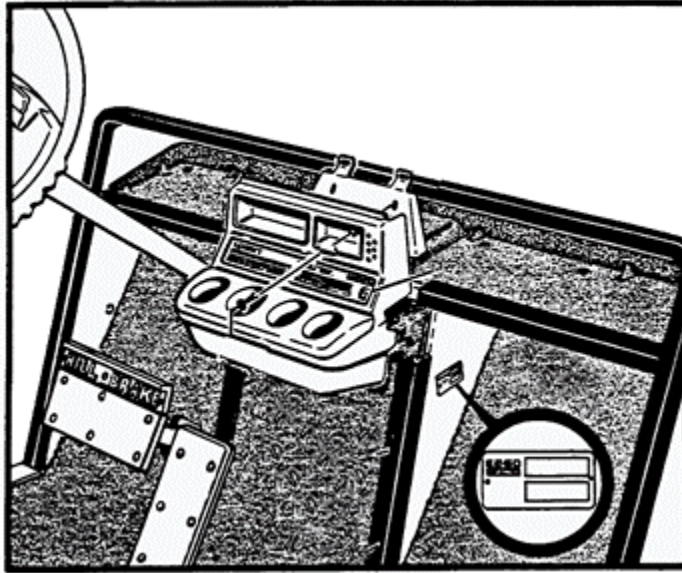


EZGO Medalist and TXT models (1994 to present)

The serial number and manufacturer's number for these EZGO golf cart models can be found on a plate located *in* the glove box on the passenger's side of the vehicle. The serial number is either six or seven numbers and does not indicate the model year. The manufacturer's number does reflect the model year. This series will have one letter and three or four numbers which will include two numbers indicating the last two digits of the year it was manufactured.

The order of these numbers and one letter have changed several times over the years, but you should be able to figure it out. If not, e-mail us with the manufacturer's number and we will confirm the year in a return e-mail within 24 hours.

EZGO Serial Number Location For: Marathon (1976 - 1993)



EZGO Marathon models (1976 to 1993)

The serial number and manufacturer's number for these EZGO golf cart models can be found on a plate located ***under*** the glove box on the passenger's side of the vehicle. The serial number is either six or seven numbers and does not indicate the model year. The manufacturer's number does reflect the model year. This series will have one letter and three or four numbers which will include two numbers indicating the last two digits of the year it was manufactured.

The order of these numbers and one letter have changed several times over the years, but you should be able to figure it out. If not, e-mail us with the manufacturer's number and we will confirm the year in a return e-mail within 24 hours.

EZGO Golf Carts (prior to 1976)

On EZGO golf carts prior to 1976, you can find the serial number plate on the fender skirt under the driver's side seat. There is no simple formula for vehicles manufactured before 1976. You must e-mail us with all these numbers so we can help determine what model year you have. Please include all the numbers that you find on the plate.